

# Water Puddle Plug

Installation

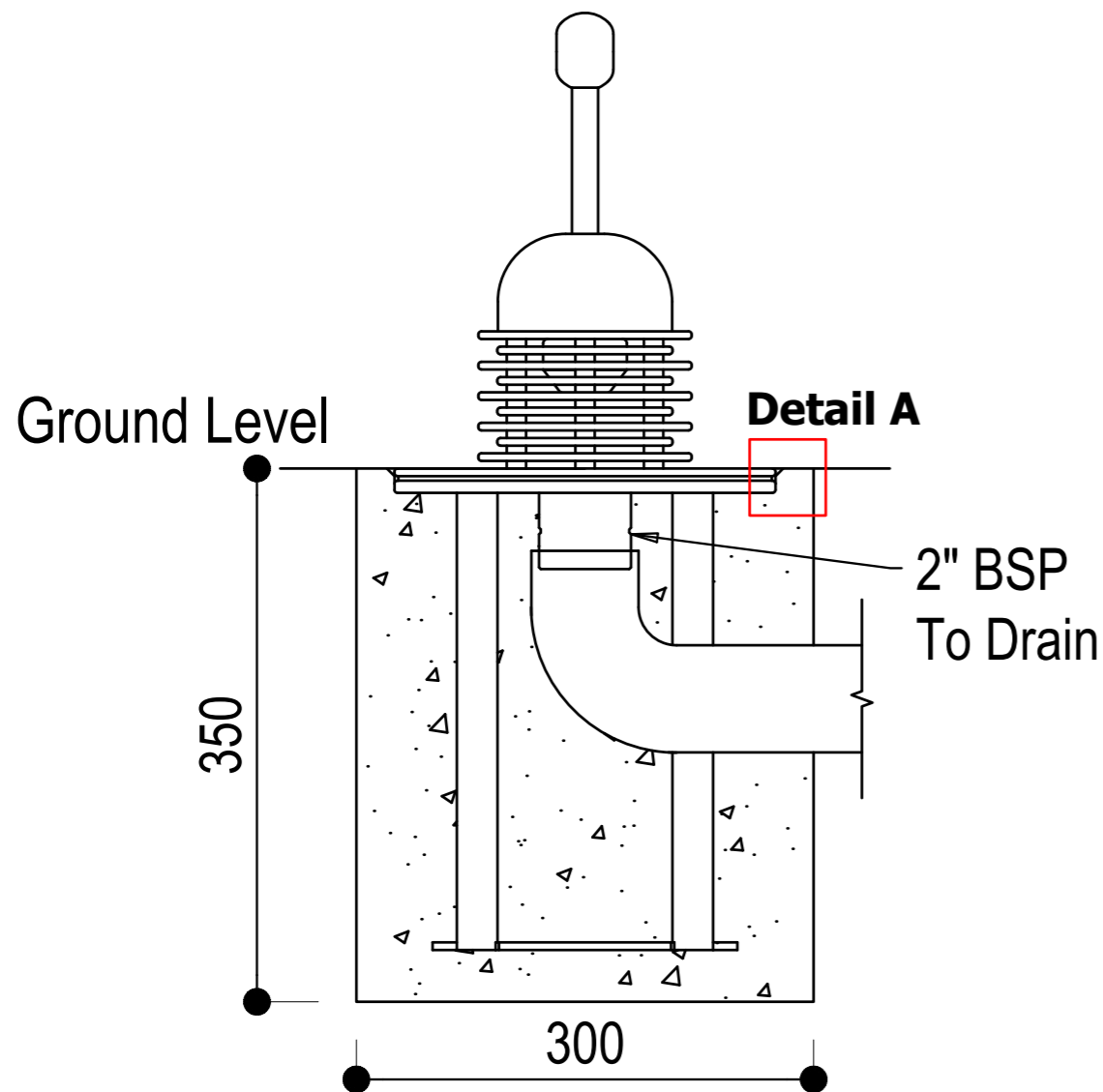
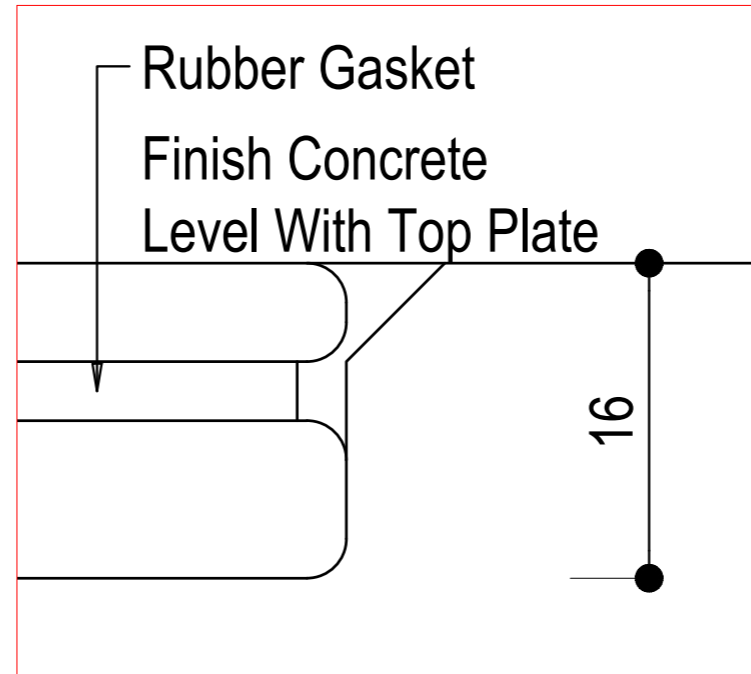
### Footings quantities and depths From ground level

Item	Qty	Hole Diameter	Hole Depth
Valve	1	300mm	350mm

**Note:**

This product is designed for no softfall.

### Detail A



## Water Puddle Plug

SEDI REM QUID MA CONSEQUAE DOLUPTAT QUATIUN DELITATIONET EXCERA NIHILIQUIS AD QUISTIS EATUR, NON REHENIS EATIONSECAE  
NON NAM QUI VERE DENDAE AUT ID EOSAM ETUR SIMAGNIET, ILIT AUT AUT ET PORI CUM QUAS RE, EATUR?  
CAEPROVID UT HICIUR SIT UT DOLOREM VOLOR SIT QUI TEMPEL MA CONSEQUI OD ET AUT UT LIA IUS DOLESEQUE CUS MOLORROVIT



Rev#	DATE	PR#
-	-	-

Playbook ID	<b>PN1221</b>	DWG No.	<b>01</b>	SCALE	<b>NTS</b>	ISSUE	<b>A</b>	DRAWN BY	<b>LC</b>	DATE	<b>01-03-2023</b>
Job No.	Job Name	Planned by	Plan date	QTY	MADE BY	DATE					

**natura**  
Australian nature playgrounds