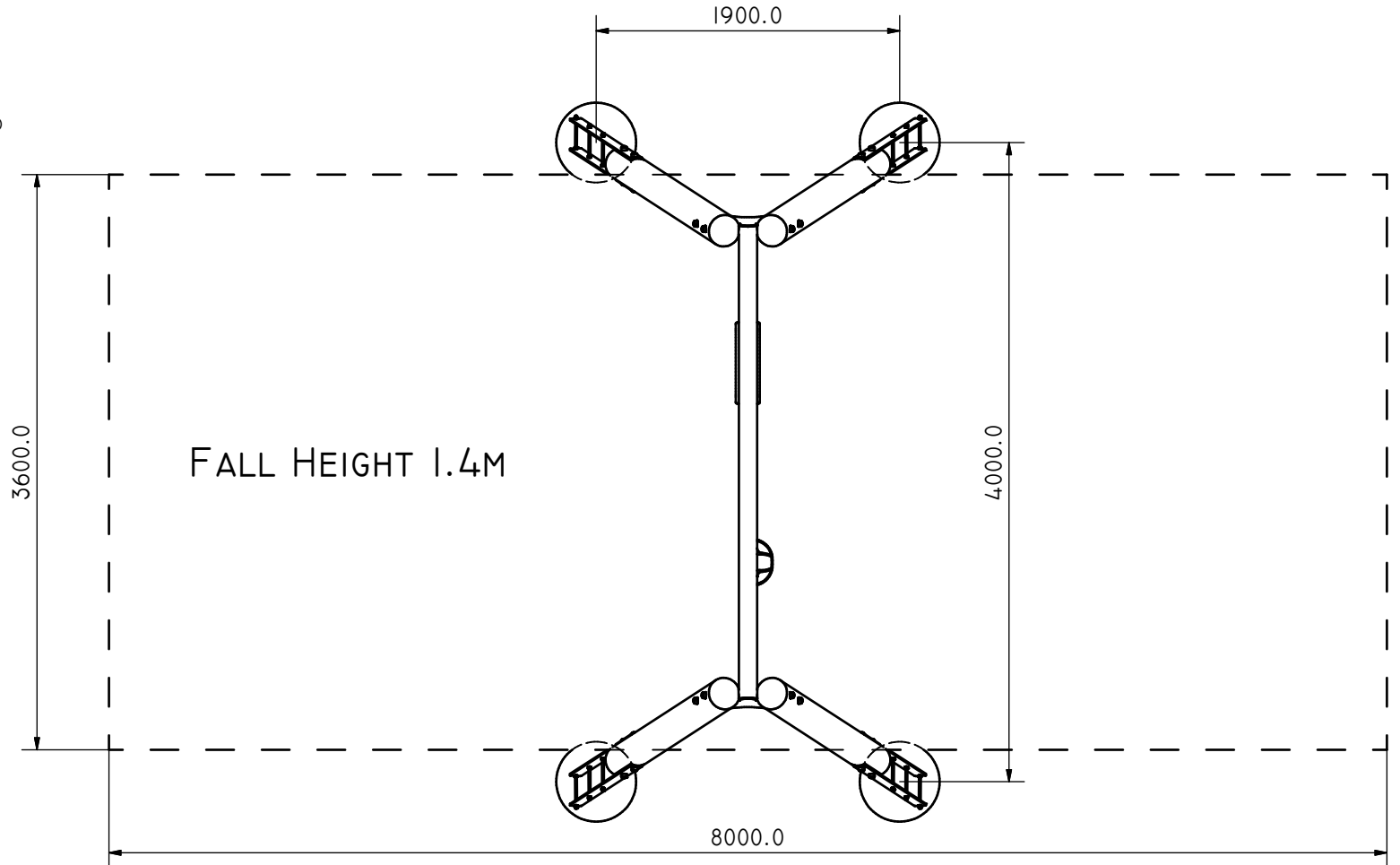


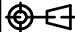

FOOTING QUANTITIES AND DEPTHS
FROM GROUND LEVEL

ITEM	QTY	HOLE DIAMETER	HOLE DEPTH
POST	4	500	800

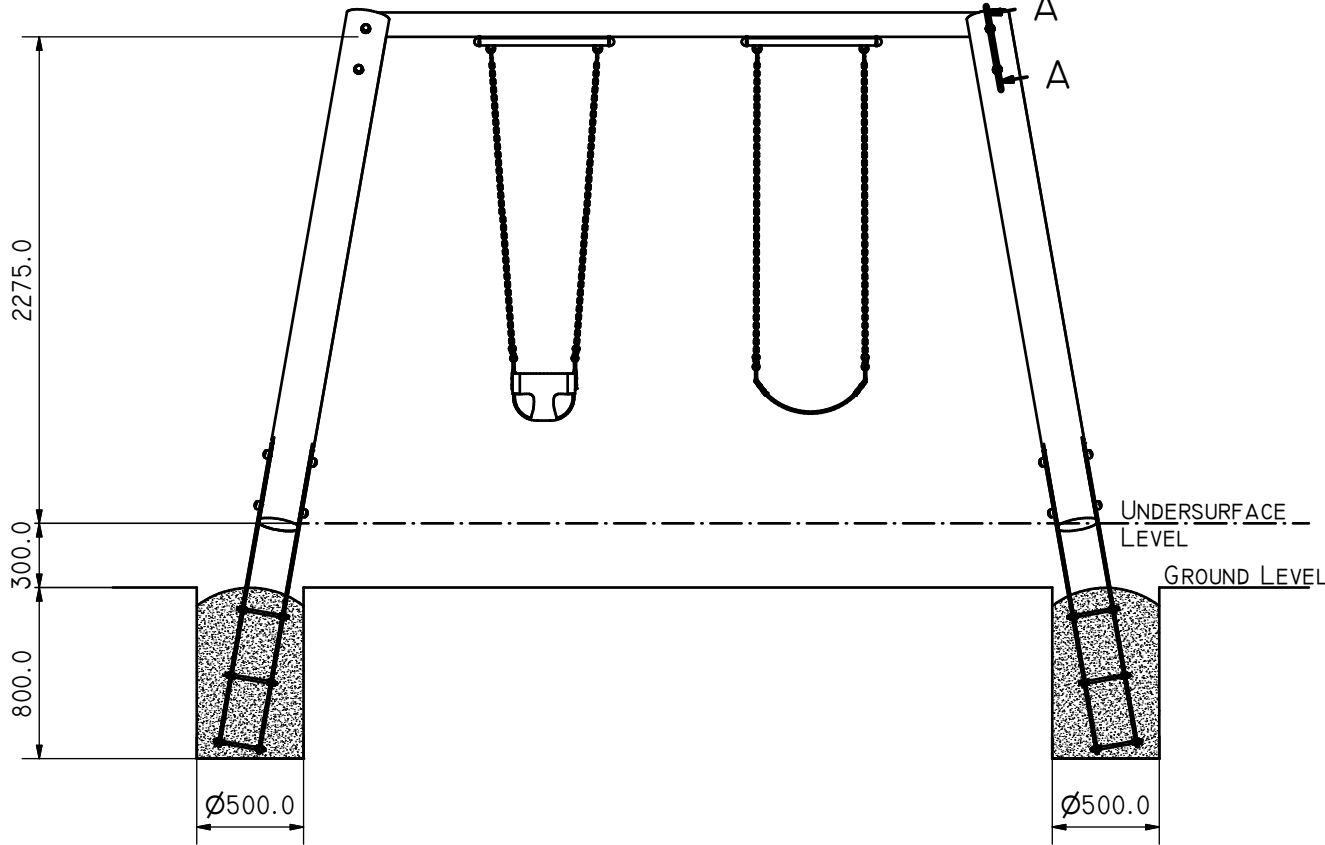
NOTE:

THIS PRODUCT IS DESIGNED FOR 300MM SOFT FALL. CHECK THE PROPOSED ON SITE SOFT FALL DEPTH. IF IT IS NOT 300MM PLEASE ADJUST DEPTHS OF POST HOLES ACCORDINGLY, TO ACHIEVE CORRECT OVERALL SUBSURFACE DEPTH. THIS WILL MAINTAIN CORRECT HEIGHT OF EQUIPMENT ABOVE UNDERSURFACE LEVEL.



JOB N°	PLANNED BY		UNLESS STATED OTHERWISE - ALL DIMENSIONS ARE IN MILLIMETRES.					
	PLAN DATE		GENERAL TOLERANCES: DIN ISO 2768-MK					
JOB NAME	MADE BY	DRAWN	DE	ITEM N°	SF Log DOUBLE SWING			
		DATE	8/25/2023	A-SWG-2229				
	MFG DATE	CHECKED		STOCK / LEGACY N°	DRAWING N°			
		DATE			PN1261 A-SWG-2229-001			
© 2024 THE PLAY COLLECTIVE ABN 28 101 472 619. THE INFORMATION CONTAINED IN THIS DRAWING IS THE SOLE PROPERTY OF THE PLAY COLLECTIVE. ANY REPRODUCTION IN PART OR WHOLE WITHOUT THE WRITTEN PERMISSION OF THE PLAY COLLECTIVE IS PROHIBITED. ANY UNCERTAIN DIMENSIONS ARE TO BE CONFIRMED BY PLAY COLLECTIVE BEFORE COMMENCEMENT OF MANUFACTURING.					REV ANY	SCALE: NTS	SHT 1 OF 2	A3

SWING HEIGHTS TO BE SET AT
INSTALLATION
ALL SEATS - 500MM
FROM SOFTFALL



ASSEMBLY INSTALL LIST	QTY
CROSS BAR	1 OFF
SWING POSTS	4 OFF
BOLT M12X 200MM	8 OFF
NYLOC M12 SS	8 OFF
WASHER M12 SS	16 OFF
DO-NUT M12	16 OFF
MUD GUARD WASHER	8 OFF

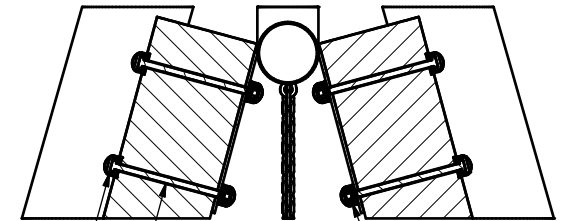
FOOTING QUANTITIES AND DEPTHS
FROM GROUND LEVEL

ITEM	QTY	HOLE DIAMETER	HOLE DEPTH
Post	4	500	800

NOTE:

-
THIS PRODUCT IS DESIGNED FOR 300MM
SOFT FALL. CHECK THE PROPOSED ON SITE
SOFT FALL DEPTH. IF IT IS NOT 300MM PLEASE
ADJUST DEPTHS OF POST HOLES ACCORDINGLY, TO
ACHIEVE CORRECT OVERALL SUBSURFACE DEPTH.
THIS WILL MAINTAIN CORRECT HEIGHT OF
EQUIPMENT ABOVE UNDERSURFACE LEVEL.


SECTION A-A (1 : 10)



M12 SS FLAT WASHER
M12 SS MUD GUARD WASHER
M10 DO-NUT
8 PLACES

M12 SS FLAT WASHER
M12 SS NYLOC NUT
M10 DO-NUT
8 PLACES

M12 SS HEX BOLT
8 PLACES

JOB N°	PLANNED BY	UNLESS STATED OTHERWISE - ALL DIMENSIONS ARE IN MILLIMETRES. GENERAL TOLERANCES: DIN ISO 2768-MK		
	PLAN DATE			
JOB NAME	MADE BY	DRAWN	DE	ITEM N°
	MFG DATE	DATE	8/25/2023	A-SWG-2229
		CHECKED		STOCK / LEGACY N°
		DATE		PNI261
			DRAWING N°	
			A-SWG-2229-002	

© 2024 THE PLAY COLLECTIVE ABN 28 101 472 619. THE INFORMATION CONTAINED IN THIS DRAWING IS THE SOLE PROPERTY OF THE PLAY COLLECTIVE. ANY REPRODUCTION IN PART OR WHOLE WITHOUT THE WRITTEN PERMISSION OF THE PLAY COLLECTIVE IS PROHIBITED. ANY UNCERTAIN DIMENSIONS ARE TO BE CONFIRMED BY PLAY COLLECTIVE BEFORE COMMENCEMENT OF MANUFACTURING.

REV	ANY	SCALE: NTS	SHT 2 OF 2	A3
-----	-----	------------	------------	----