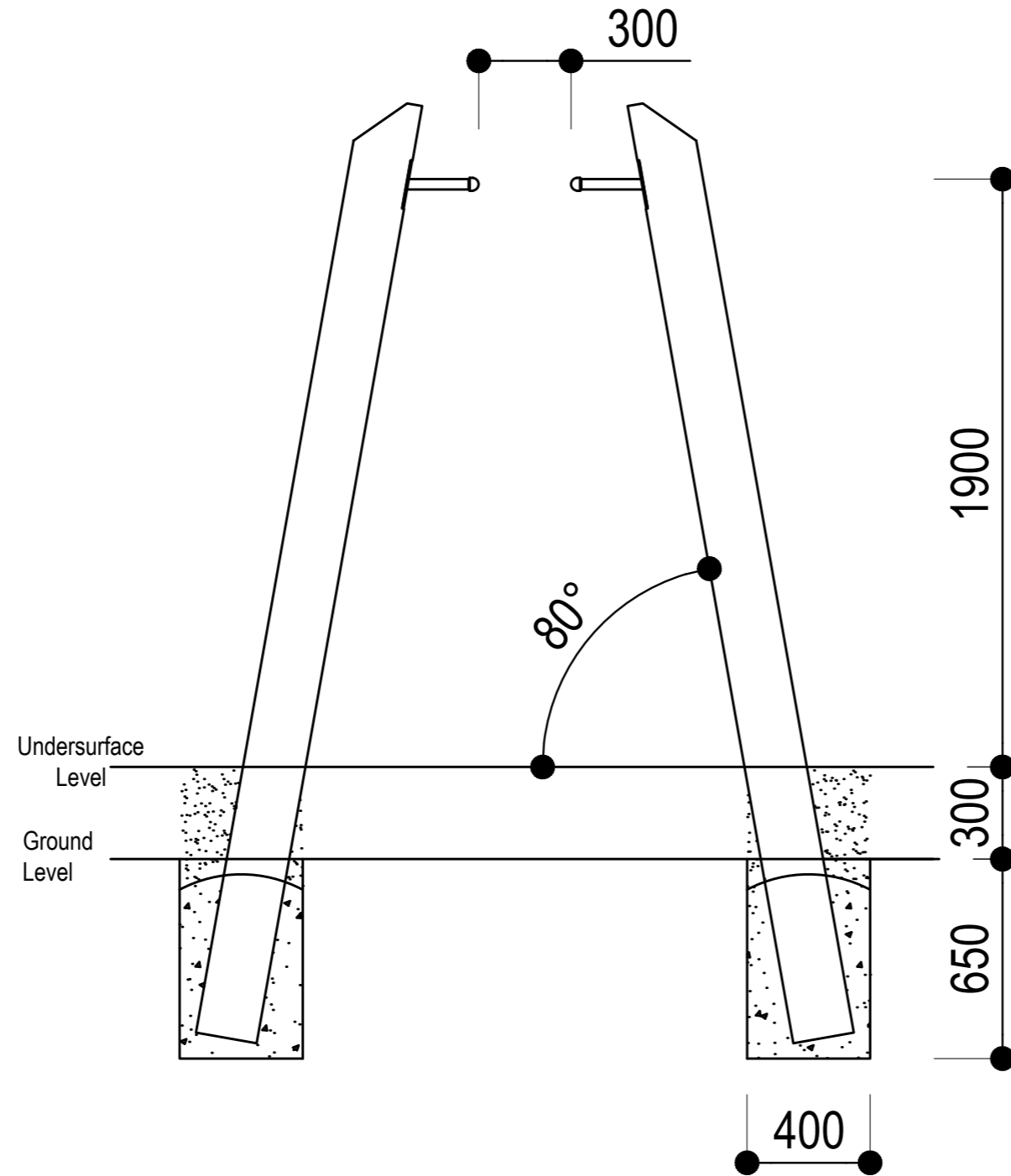


Log Overhead Swing Bars

Installation



Footing quantities and depths From ground level

Item	Qty	Hole Diameter	Hole Depth
Post	6	400mm	650mm

Note:

This product is designed for 300mm softfall. Check the proposed on site softfall depth. If it is not 300mm please adjust depths of post holes accordingly to achieve correct overall subsurface depth. This will maintain correct height of equipment above undersurface level.

Log Overhead Swing Bars

SEDI REM QUID MA CONSEQUAE DOLUPTAT QUATIUN DELITATIONET EXCERA NIHILIQUIS AD QUISTIS EATUR, NON REHENIS EATIONSECAE
NON NAM QUI VERE DENDAE AUT ID EOSAM ETUR SIMAGNIET, ILIT AUT AUT ET PORI CUM QUAS RE, EATUR?
CAEPROVID UT HICIUR SIT UT DOLOREM VOLOR SIT QUI TEMPEL MA CONSEQUI OD ET AUT UT LIA IUS DOLESEQUE CUS MOLORROVIT



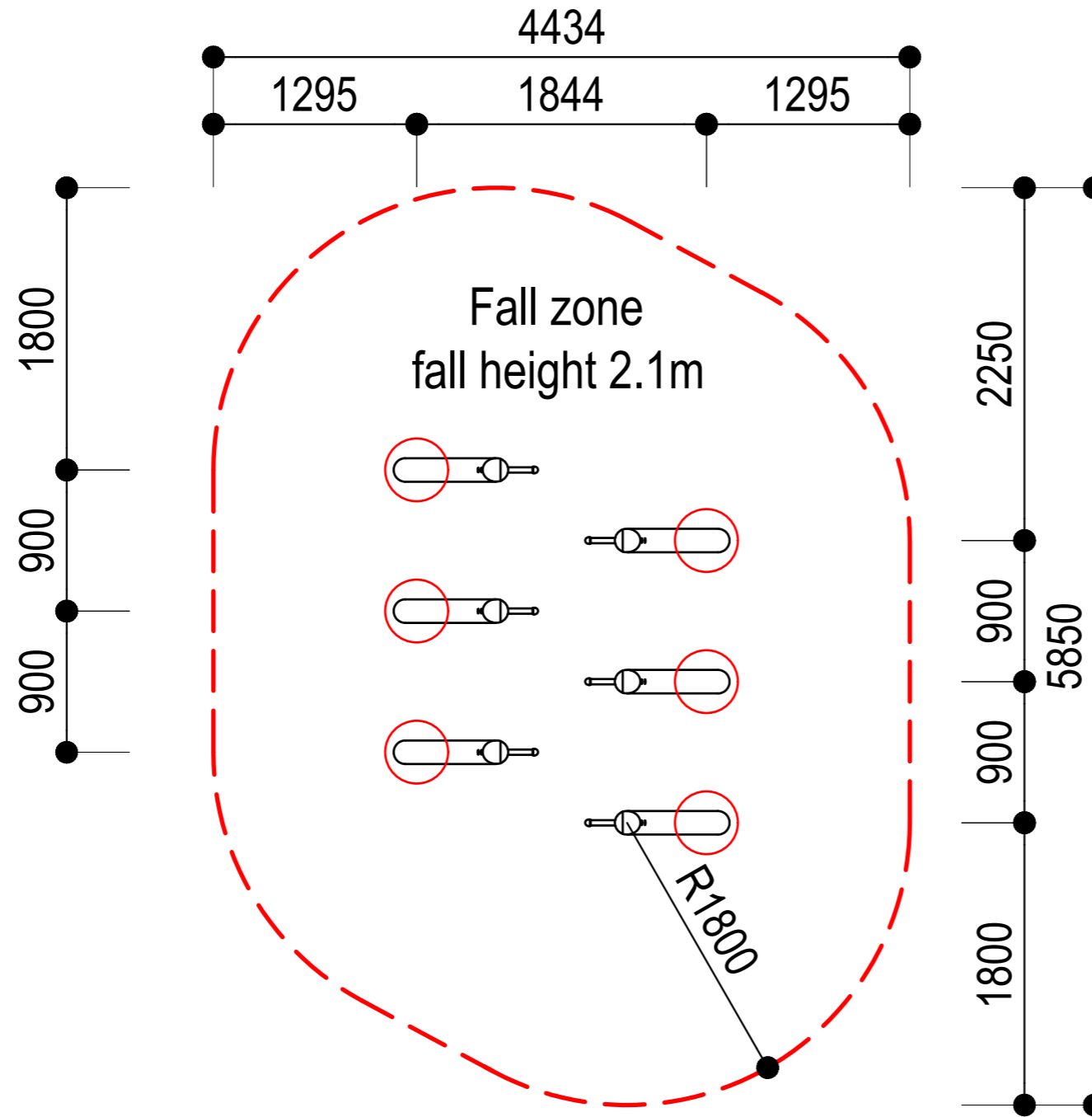
Rev#	DATE	PR#
-	-	-

Playbook ID	PN1316	DWG No.	01	SCALE	NTS	ISSUE	A	DRAWN BY	LC	DATE	01-03-2023
Job No.		Job Name		Planned by		Plan date		QTY		MADE BY	



Log Overhead Swing Bars

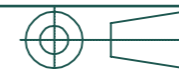
Fall Zone
Fall Height 2.1m



Installation

Log Overhead Swing Bars

SEDI REM QUID MA CONSEQUAE DOLUPTAT QUATIUN DELITATIONET EXCERA NIHILIQUIS AD QUISTIS EATUR, NON REHENIS EATIONSECAE
NON NAM QUI VERE DENDAE AUT ID EOSAM ETUR SIMAGNIET, ILIT AUT AUT ET PORI CUM QUAS RE, EATUR?
CAEPROVID UT HICIUR SIT UT DOLOREM VOLOR SIT QUI TEMPEL MA CONSEQUI OD ET AUT UT LIA IUS DOLESEQUE CUS MOLORROVIT



Rev#	DATE	PR#
-	-	-

Playbook ID	PN1316	DWG No.	02	SCALE	NTS	ISSUE	A	DRAWN BY	LC	DATE	01-03-2023
Job No.		Job Name		Planned by		Plan date		QTY		MADE BY	

natura
Australian nature playgrounds